

# AUTOPOLE & SATELLITE

Screening and dividing for Offices, Libraries, Study Halls, Bars & Restaurants, Retail

No damage to valuable property or furniture  
Hygienic and easy to clean  
Easily configured  
Fast, clean installation

Lower environmental impact  
Excellent value  
A range of colours and finishes available  
Cost effective



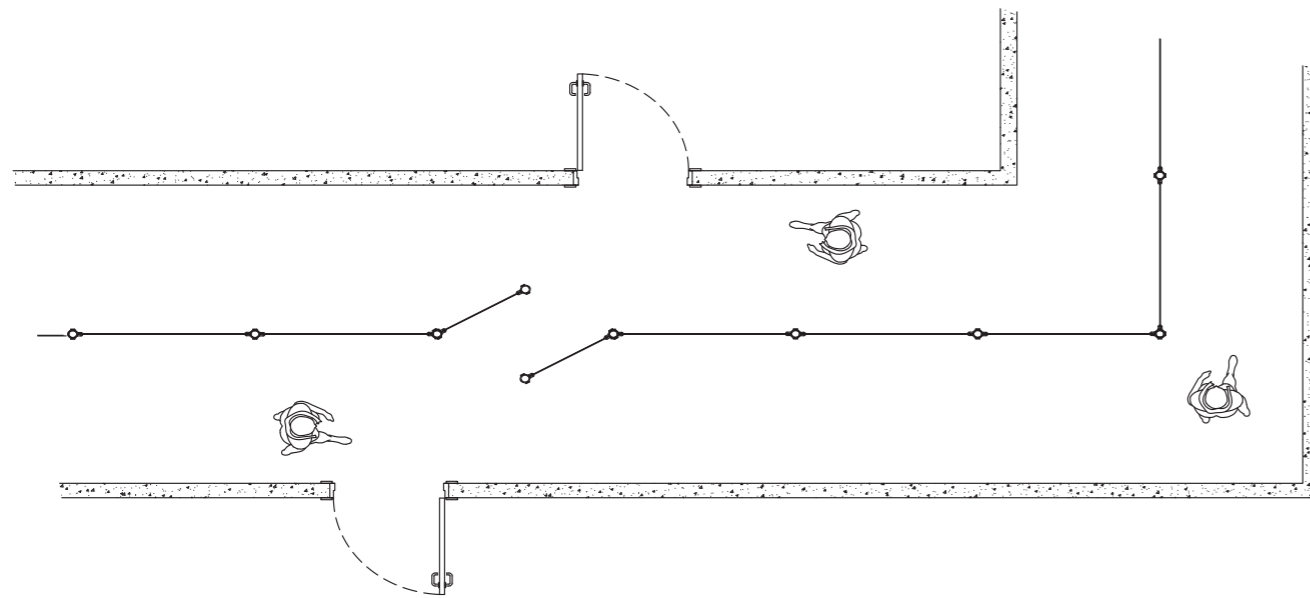
## CONFIGURE, ADAPT, EXPAND

**AUTOPOLE** is a telescopic, tension mounted, freestanding pole, secured with a simple lever movement. The system's fundamental characteristic is the speed with which it can be assembled without the need for tools. Autopole is available in clear painted natural finish aluminum and black as standard. Also available in clear painted steel for a raw, sophisticated aesthetic.

Enquire about custom colours.

[info@systemplus.ie](mailto:info@systemplus.ie)

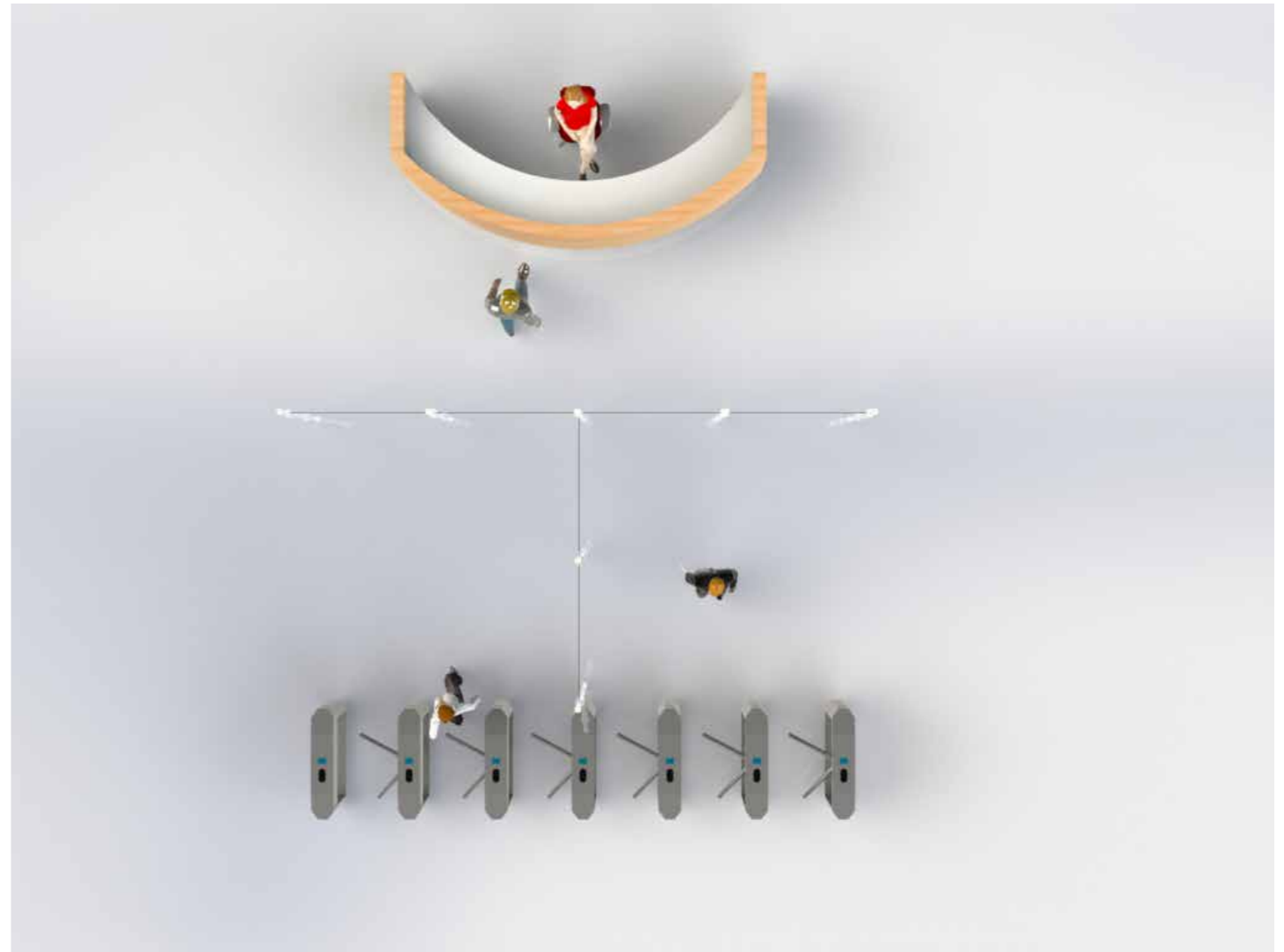
01 834 3341



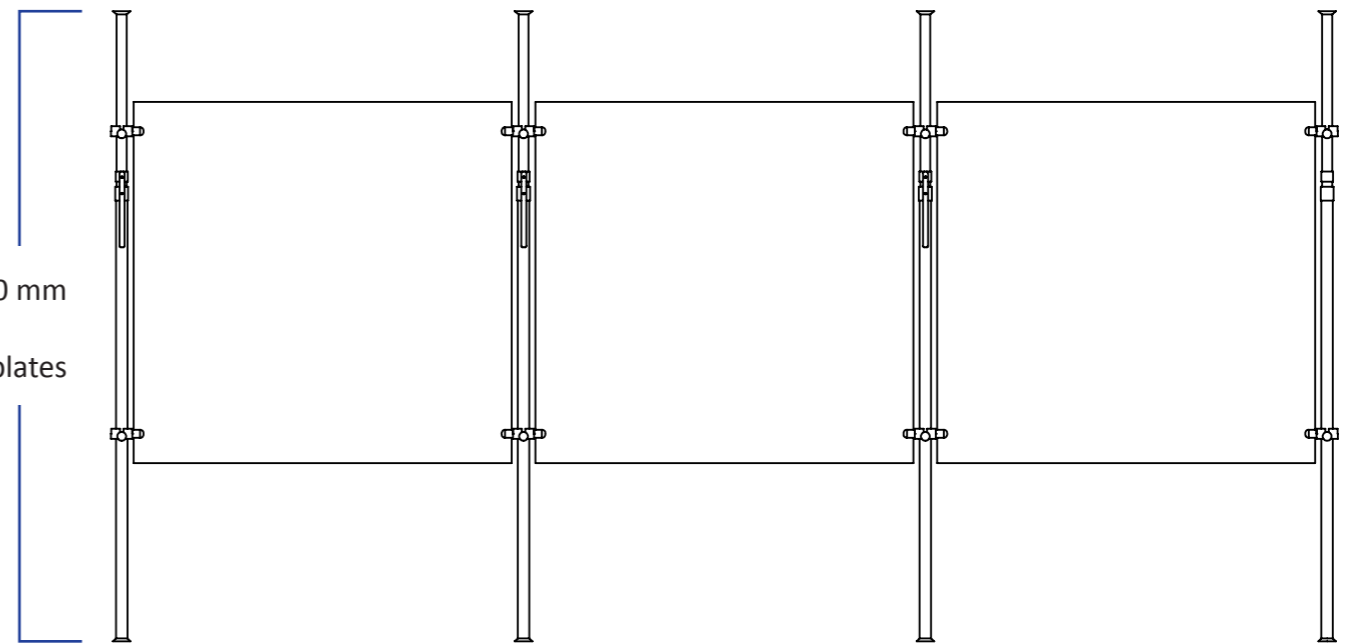
Solid or suspended ceilings



**AUTOPOLE** screening system



Tension mounted 2100 mm up to 4560 mm  
or Freestanding on base plates



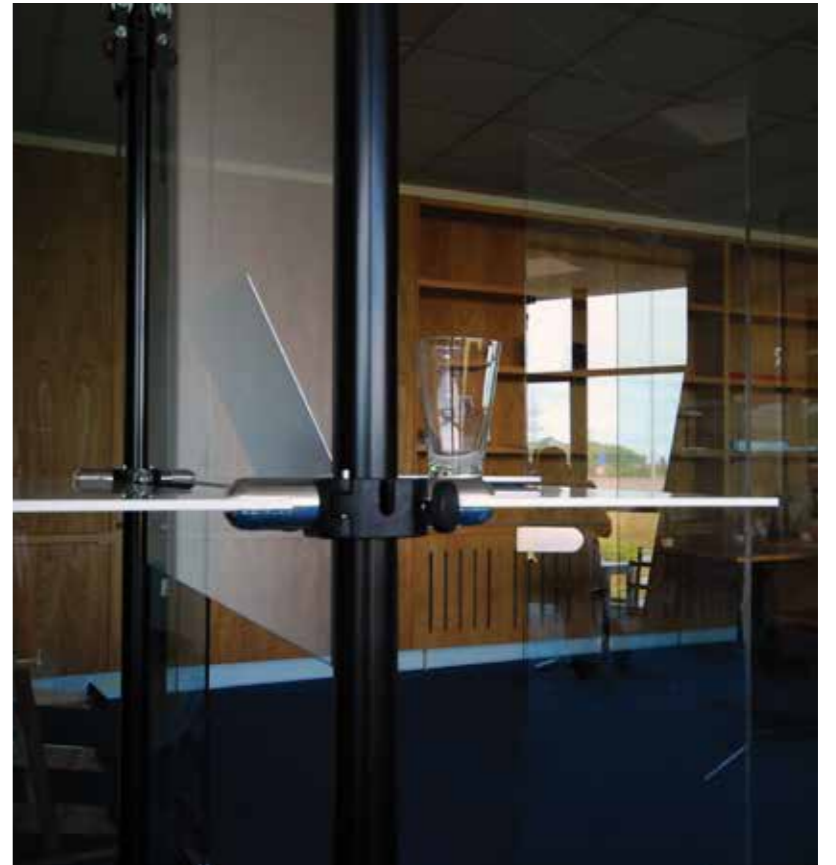
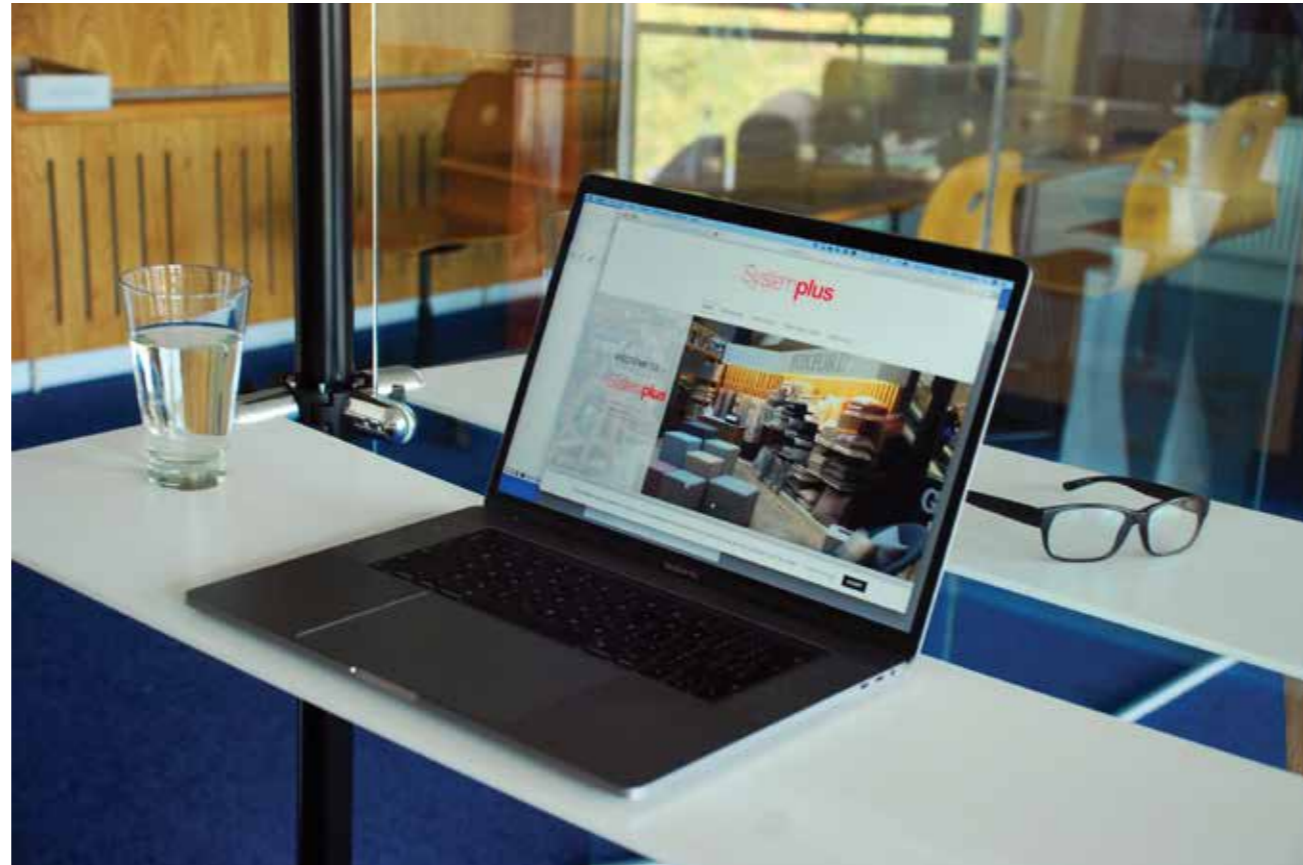
## AUTOPOLE screening system



Systemplus  
**WELL MADE**

**AUTOPOLE** screening system

[info@systemplus.ie](mailto:info@systemplus.ie)



Systemplus  
**WELL MADE**

**AUTOPOLE** screening system

[info@systemplus.ie](mailto:info@systemplus.ie)





OFFICE



DINING ROOM/CANTEEN





PUBLIC COUNTER



SERVICE COUNTER



Systemplus  
**WELL MADE**

**SATELLITE** screening system

[info@systemplus.ie](mailto:info@systemplus.ie)



Systemplus  
**WELL MADE**

**SATELLITE** screening system

[info@systemplus.ie](mailto:info@systemplus.ie)